



Fostex VF-08 8-track Digital Multitracker

Contents

- I. Description
 - II. Mixer features
 - III. Recorder features
 - IV. Selling Points vs. Competition
 - V. Model 8340 SCSI Card
-

The Fostex VF08 is the breakthrough of the digital multitracker that is positioned at the pricing divide between digital and analog MTR's. Inheriting a lot of technologies Fostex has developed in the long history of MTR designs, the VF08 offers 8-track digital recording, intuitive digital mixer, reputed A.S.P. digital effects, 99 scene memory, wave form display, 2 x XLR inputs with phantom power, and so on. In addition to those functions new powerful features include Mastering Mode, offering 10 x Mastering Library such as Live Mix, Pop Mix, Dance etc for easy and sophisticated stereo mastering production, and Training Mode to improve your skill playing to source recorded from a CD etc. The factory-installed 5.1GB drive offers as long as 2 hours of non-compressed 8-track recording, which is the longest in this class. Thanks to employment of the 3.5" IDE drive, users can easily upgrade the drive with a larger capacity anytime they want.





I. Mixer Section

- 8 tracks + 16 additional tracks recording with no data compression.
- 5.1GB E-IDE hard drive is factory installed giving 16 hours recording / reproducing (mono-track).
- HD capacity is to be increased in the future.
- Bounce Mode for easy track bouncing.
- Mastering Mode enables reproduction of 'master tracks 7-8' with mastering effects.
- In addition to manual EQ – Reverb – Comp – Limiter settings, 10 x preset mastering libraries (Flat, Wet Mix, Light Mix, Live Mix, Pop Mix, Dance, Hard, 70's, Hall and Lo-Fi modes) are selectable for easy and quick operation.
- Training Mode offers slow reproduction without pitch change, center-cancelled reproduction and repeats reproduction between A-B points.
- 2-band EQ with Libraries. In addition to the regular shelving type, 36 libraries include bell type, LPF/HPF etc.
- S/PDIF digital I/O to export and import stereo signal digitally.

Recorder Section

- Audio Scrubbing with waveform display for intuitive edits using professional-like Jog wheel.
- Non-destructive editing including Copy / Move-Paste / Erase.
- 99 song programs with title edit.
- +/- 6% vari-pitch by 0.1% step.
- Bar/Beat resolution.
- 99 Mark Points per program with title edits for quick location.
- Scene Sequence function enables to change mixing scenes by any mark points.
- Auto Punch In/Out with rehearsal function and Auto Loop.
- 2 x Input jacks with trim (Mic – Line), on/off switch and peak LED: Phones as well as XLR inputs with phantom power.
- 1 x Fostex original A.S.P. multi-effects of professional quality offering as many as 38 effect patches.
- 99 Mixing Scene Memory (Fader/EQ/Pan/Effects) per program with title edits.
- Internal Tempo Mapping with metronome function offers output of MIDI Clock & Song Position Pointer as well as slave run to external MTC Sequencer.
- MTC/MMC compliance makes sync run / remote controlling with a sequencer.

Important Selling Points Over Competition

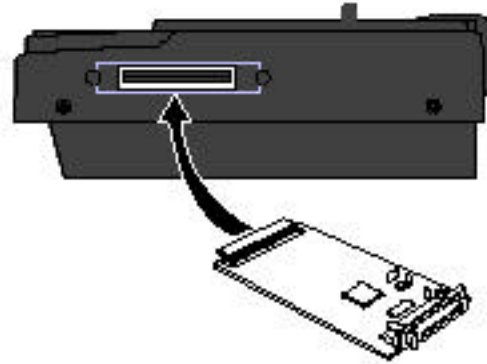
- Uncompressed audio quality
- Comes with XLR inputs and phantom power
- Record time = 16 hours - mono , 2 hours - 8 tracks
- MIDI Time Code/MIDI Clock sync to external sequencers and computer recording software
- Waveform display for editing
- Digital S/PDIF input and output for burning CD's, transferring audio to external devices and/or computer
- Training mode – helps learn music passages and eliminate recorded vocals



Model 8340 SCSI Card

Model 8340 is an optional SCSI card for model VF08 to give the following additional functions.

- Fast backup to external SCSI removable devices such as ZIP, ZIP250, DVD-RAM drives.
- Import and export of audio data in WAV file format via a DOS formatted (FAT16) disk using SCSI re-movable devices.
- With future software update on VF08, data backup to a CD-R/RW will be possible.



The 8340 card can be retrofit to the VF08's slot on the right side by end-users.

Installation guide is in the manual supplied with the card.